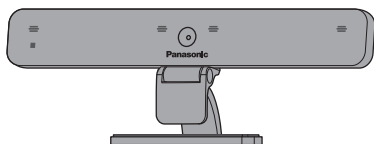


Operating Instructions Communication Camera

Model No. **TY-CC10W**



Contents

Safety Precautions	2
Handling Precautions	2
Installation	4
Connection	5
Using the Camera	6
Maintenance	6
Specifications	7
Limited Warranty (for U.S.A. and Puerto Rico only)	8
Limited Warranty (for Canada) ..	10
Warranty - Australia only	11
Warranty - New Zealand only ..	12

- This product is used to make video calls and audio calls via the Internet through a Panasonic high-definition television that is equipped with USB ports.
- The television needs to be connected to the Internet using a broadband connection.
- For details on the television models that support this product, see the Panasonic web site.
<http://panasonic.net/>

Thank you for purchasing a Panasonic product.

- Before operating this product, please read the instructions carefully, and save this manual for future use.
- Before using this product, be sure to read “Safety Precautions” and “Handling Precautions” (📖 pages 2 - 3).

TQZJ267-2

ENGLISH

Safety Precautions

Warning

Disassembly

- **Do not disassemble or modify this camera.**
Doing so may cause fire or electric shock.

Caution

Drop Prevention

- **Make sure that the camera is installed securely.**
The camera may cause injury if it falls from its installation location.

Do not wet

- **Always keep the camera in a cool, dry place.**
Failure to do so may cause fire or electric shock.

Handling Precautions

- **Do not touch the camera lens section with your hand.**
Doing so may cause the lens to become dirty, which may cause the image to become blurred.
- **Do not unplug the USB cable during use.**
Doing so may cause the camera or television to stop working correctly.
In this case, unplug and plug the mains lead of the television from the mains socket once, then reconnect the camera USB cable, and switch the television power on again.
- **Do not pull the USB cable excessively.**
Doing so may damage the camera.
- **Do not drop, strike, or shake the camera.**
Doing so may damage the camera.
- **Do not store or use this camera in high temperature areas or near strong magnetic fields.**
Doing so may cause damage, deformation, or malfunctions of the camera.

- **Do not use this camera in dusty, steamy, or smokey locations, or where it may be splashed with water or liquids.**

Doing so may damage the camera.

- **Do not bend the stand section.**

Doing so may damage the camera.

FCC STATEMENT

This equipment has been tested and found to comply with the limits for a Class B digital device, pursuant to Part 15 of the FCC Rules. These limits are designed to provide reasonable protection against harmful interference in a residential installation. This equipment generates, uses and can radiate radio frequency energy and, if not installed and used in accordance with the instructions, may cause harmful interference to radio communications. However, there is no guarantee that interference will not occur in a particular installation. If this equipment does cause harmful interference to radio or television reception, which can be determined by turning the equipment off and on, the user is encouraged to try to correct the interference by one or more of the following measures:

- Reorient or relocate the receiving antenna.
- Increase the separation between the equipment and receiver.
- Consult the Panasonic Service Center or an experienced radio/TV technician for help.

FCC Caution:

To assure continued compliance, follow the attached installation instructions and use only shielded USB interface cable when connecting to computer or TV. Any changes or modifications not expressly approved by Panasonic Corp. of North America could void the user's authority to operate this device.

FCC Declaration of Conformity

Models:	TY-CC10W
Responsible Party:	Panasonic Corporation of North America One Panasonic Way, Secaucus, NJ 07094
Contact Source:	Panasonic Consumer Electronics Company 1-877-95-VIERA (958-4372)
email:	consumerproducts@panasonic.com

This device complies with Part 15 of the FCC Rules. Operation is subject to the following two conditions: (1) This device may not cause harmful interference, and (2) this device must accept any interference received, including interference that may cause undesired operation.

CANADIAN NOTICE:

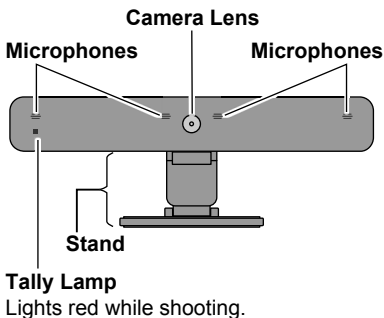
For Model TY-CC10W

This Class B digital apparatus complies with Canadian ICES-003.

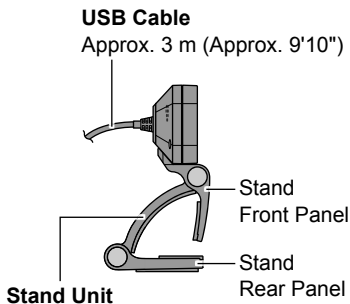
Installation

Names and Functions of Parts

Camera Front View



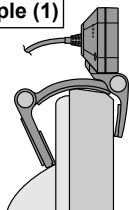
Camera Side View



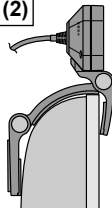
When installing the camera onto the television

Clip the camera stand onto the top of the display panel, and fix it securely in place.

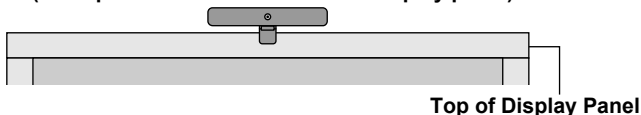
Installation Example (1)



Installation Example (2)



(Example installation at centre of display panel)



When placing the camera on a table surface etc.

Place the camera on a flat surface in front of the television, at approximately face height.

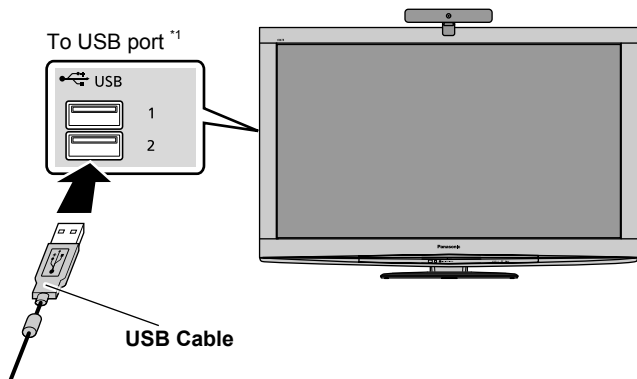
NOTE:

- If the camera is placed near to the television speakers, a high-pitched noise known as "howling" may occur depending on the volume of the television. If howling occurs, lower the volume of the television speakers.

Connection

Connect the USB cable of the camera to the USB port on the television.

1. Press the power button on the television to switch the television power off.
2. Insert the USB cable of the camera into the USB port on the television.



*1 For details on the location and orientation of the USB port, see the television operating instructions.

Make sure the USB connector is facing the same direction as the USB port.

3. Press the power button on the television to switch the television power on.

NOTE:

- Always use the button on the television to switch the power ON and OFF.
- Do not use a USB hub to connect to the television. Always connect the camera USB connector directly to the television.
- You cannot connect this camera to a computer or other make of television for use. Always connect this camera to a Panasonic television that is equipped with USB ports.

Using the Camera

- The television needs to be connected to the Internet using a broadband connection.
- Perform the following operations using the television remote control. For more details on operations using the television remote control, see the television operating instructions.

1. Display the “VIERA CAST” on the television screen.
2. Select the content you want to use with the camera (eg: “Skype” etc.), and press “OK”.
 - For the following procedures, follow the on-screen instructions to register an account, send and receive video and audio calls, and adjust the camera etc.



No emergency calls with Skype.

Skype is not a replacement for your ordinary telephone and cannot be used for emergency calling.

NOTE:

- Provided contents, procedures or screen displays are subject to change without notice.

Maintenance

■ **Clean the camera using a soft, dry cloth.**

Wiping the camera with a dusty cloth may scratch the camera.

Therefore, always shake off any dust and dirt etc. from the cloth before cleaning.

Do not use benzene, thinners, or wax etc. on the camera, as doing so may cause the paint to peel off.

Specifications

Power Supply	DC 5 V (USB powered) 500 mA
Power consumption	Max. 1.4 W
Dimensions	Width 210 mm (8.27") Height 76 mm (3") Depth 43 mm (1.7")
Mass	Approx. 200 g (Approx. 0.44 lbs.) (including USB cable)
Operating Temperature Range	0 °C - 40 °C (32 °F - 104 °F)
Lens	F/2.0 3P Lens; FOV (D) 56.8° (in HD mode)
Microphone	4 unidirectional microphones
Sensor	1/4 inch CMOS Sensor
Resolution	1280 × 720
Output Image	Max. 1280 × 720 (HD)
Output Format	H.264, YUV
Max. Frame Rate	22 fps at HD, 30 fps at VGA
Interface	USB 2.0

Limited Warranty (for U.S.A. and Puerto Rico only)

ONLY FOR U.S.A. AND PUERTO RICO

Panasonic Accessory Limited Warranty

Panasonic Consumer Electronics Company,
Division of Panasonic Corporation
of North America
One Panasonic Way,
Secaucus, New Jersey 07094

Limited Warranty Coverage (For USA and Puerto Rico Only)

If your product does not work properly because of a defect in materials or workmanship, Panasonic Consumer Electronics Company (referred to as "the warrantor") will, for the length of the period on the chart below, which starts with the date of original purchase ("warranty period"), at its option either (a) repair your product with new or refurbished parts, (b) replace it with a new or a refurbished equivalent value product, or (c) refund your purchase price. The decision to repair, replace or refund will be made by the warrantor.

Product	Parts	Labor
Communication Camera	90 (Ninety) Days	Not applicable

During the "Parts" warranty period, there will be no charge for parts. This Limited Warranty excludes both parts and labor for non-rechargeable batteries, antennas, and cosmetic parts (cabinet). This warranty only applies to products purchased and serviced in U.S.A. or Puerto Rico. This warranty is extended only to the original purchaser of a new product which was not sold "as is".

Mail-In Service

For assistance in the U.S.A. and Puerto Rico in obtaining replacement, please ship the product prepaid to:

Panasonic Exchange Center
4900 George McVay Drive
Suite B
McAllen, TX 78503
panacare@us.panasonic.com

When shipping the unit, carefully pack, include all accessories, and send it prepaid, adequately insured and preferably in the original carton. If Lithium Ion batteries are shipped by air the package must be labeled "Contains Lithium Ion Battery (No lithium metal)". Damaged batteries are prohibited from shipment by US Mail. Batteries must be securely packed in a manner to prevent short-circuiting and a package cannot contain more than 3 Lithium Ion batteries. Include a letter detailing the complaint, a return address and provide a daytime phone number where you can be reached. A valid registered receipt is required under the Limited Warranty.

IF REPAIR IS NEEDED DURING THE WARRANTY PERIOD, THE PURCHASER WILL BE REQUIRED TO FURNISH A SALES RECEIPT/PROOF OF PURCHASE INDICATING DATE OF PURCHASE, AMOUNT PAID AND PLACE OF PURCHASE. CUSTOMER WILL BE CHARGED FOR THE REPAIR OF ANY UNIT RECEIVED WITHOUT SUCH PROOF OF PURCHASE.

Limited Warranty Limits And Exclusions

This warranty ONLY COVERS failures due to defects in materials or workmanship, and DOES NOT COVER normal wear and tear or cosmetic damage. The warranty ALSO DOES NOT COVER damages which occurred in shipment, or failures which are caused by products not supplied by the warrantor, or failures which result from accidents, misuse, abuse, neglect, mishandling, misapplication, alteration, faulty installation, set-up adjustments, misadjustment of consumer controls, improper maintenance, power line surge, lightning damage, modification, introduction of sand, humidity or liquids, commercial use such as hotel, office, restaurant, or other business or rental use of the product, or service by anyone other than a Factory Service Center or other Authorized Servicer, or damage that is attributable to acts of God.

THERE ARE NO EXPRESS WARRANTIES EXCEPT AS LISTED UNDER "LIMITED WARRANTY COVERAGE".

THE WARRANTOR IS NOT LIABLE FOR INCIDENTAL OR CONSEQUENTIAL DAMAGE RESULTING FROM THE USE OF THIS PRODUCT, OR ARISING OUT OF ANY BREACH OF THIS WARRANTY.

(As examples, this excludes damages for lost time, travel to and from the servicer, loss of or damage to media or images, data or other memory or recorded content. The items listed are not exclusive, but for illustration only.)

ALL EXPRESS AND IMPLIED WARRANTIES, INCLUDING THE WARRANTY OF MERCHANTABILITY, ARE LIMITED TO THE PERIOD OF THE LIMITED WARRANTY.

Some states do not allow the exclusion or limitation of incidental or consequential damages, or limitations on how long an implied warranty lasts, so the exclusions may not apply to you.

This warranty gives you specific legal rights and you may also have other rights which vary from state to state. If a problem with this product develops during or after the warranty period, you may contact your dealer or Service Center. If the problem is not handled to your satisfaction, then write to the warrantor's Consumer Affairs Department at the addresses listed for the warrantor.

PARTS AND SERVICE, WHICH ARE NOT COVERED BY THIS LIMITED WARRANTY, ARE YOUR RESPONSIBILITY.

Customer Services Directory (United States and Puerto Rico)

Obtain Product Information and Operating Assistance; locate your nearest Dealer or Service Center; purchase Parts and Accessories; or make Customer Service and Literature requests by visiting our Web Site at:

<http://www.panasonic.com/help>

or, contact us via the web at:

<http://www.panasonic.com/contactinfo>

You may also contact us directly at:

1-800-211-PANA (7262)

Monday-Friday 9am-9pm, Saturday-Sunday 10am-7pm EST

For hearing or speech impaired TTY users, TTY: 1-877-833-8855

Accessory Purchases (United States and Puerto Rico)

Purchase Parts, Accessories and Instruction Books online for all Panasonic Products by visiting our Web Site at: <http://www.pstc.panasonic.com>

Or, send your request by E-mail to: npcparts@us.panasonic.com

You may also contact us directly at:

1-800-332-5368 (Phone) 1-800-237-9080 (Fax Only)

(Monday-Friday 9am-9pm EST)

Panasonic Service and Technology Company

20421 84th Avenue South, Kent, WA 98032

(We accept Visa, MasterCard, Discover Card, American Express, and Personal Checks)

For hearing or speech impaired TTY users, TTY: 1-866-605-1277

As of February 2010

Limited Warranty (for Canada)

Panasonic Canada Inc.
5770 Ambler Drive, Mississauga, Ontario L4W 2T3

PANASONIC PRODUCT – LIMITED WARRANTY EXCHANGE PROGRAM

Panasonic Canada Inc. warrants this product to be free from defects in material and workmanship under normal use and for a period as stated below from the date of original purchase agrees to, at its option either (a) repair your product with new or refurbished parts, (b) replace it with a new or a refurbished equivalent value product, or (c) refund your purchase price. The decision to repair, replace or refund will be made by Panasonic Canada Inc.

Accessories including rechargeable batteries One (1) year

This warranty is given only to the original purchaser, or the person for whom it was purchased as a gift, of a Panasonic brand product mentioned above sold by an authorized Panasonic dealer in Canada and purchased and used in Canada, which product was not sold "as is", and which product was delivered to you in new condition in the original packaging.

IN ORDER TO BE ELIGIBLE TO RECEIVE WARRANTY SERVICE HEREUNDER, A PURCHASE RECEIPT OR OTHER PROOF OF DATE OF ORIGINAL PURCHASE, SHOWING AMOUNT PAID AND PLACE OF PURCHASE IS REQUIRED

LIMITATIONS AND EXCLUSIONS

This warranty ONLY COVERS failures due to defects in materials or workmanship, and DOES NOT COVER normal wear and tear or cosmetic damage. The warranty ALSO DOES NOT COVER damages which occurred in shipment, or failures which are caused by products not supplied by Panasonic Canada Inc., or failures which result from accidents, misuse, abuse, neglect, mishandling, misapplication, alteration, faulty installation, set-up adjustments, misadjustment of consumer controls, improper maintenance, power line surge, lightning damage, modification, introduction of sand, humidity or liquids, commercial use such as hotel, office, restaurant, or other business or rental use of the product, or service by anyone other than an Authorized Servicer, or damage that is attributable to acts of God.

Dry cell batteries are also excluded from coverage under this warranty.

THIS EXPRESS, LIMITED WARRANTY IS IN LIEU OF ALL OTHER WARRANTIES, EXPRESS OR IMPLIED, INCLUDING ANY IMPLIED WARRANTIES OF MERCHANTABILITY AND FITNESS FOR A PARTICULAR PURPOSE. IN NO EVENT WILL PANASONIC CANADA INC. BE LIABLE FOR ANY SPECIAL, INDIRECT OR CONSEQUENTIAL DAMAGES RESULTING FROM THE USE OF THIS PRODUCT OR ARISING OUT OF ANY BREACH OF ANY EXPRESS OR IMPLIED WARRANTY. (As examples, this warranty excludes damages for lost time, travel to and from the Authorized Servicer, loss of or damage to media or images, data or other memory or recorded content. This list of items is not exhaustive, but for illustration only.)

In certain instances, some jurisdictions do not allow the exclusion or limitation of incidental or consequential damages, or the exclusion of implied warranties, so the above limitations and exclusions may not be applicable. This warranty gives you specific legal rights and you may have other rights which vary depending on your province or territory.

CONTACT INFORMATION

For product information and operation assistance, please contact:

Our Customer Care Centre: Telephone #: 1-800-561-5505

Fax #: (905) 238-2360

Email link: "Support → contact us → email" on www.panasonic.ca

For defective product exchange within the warranty period, please contact the original dealer or our Customer Care Centre.

Warranty - Australia only

Panasonic Warranty

1. The product is warranted for 12 months from the date of purchase. Subject to the conditions of this warranty Panasonic or its Authorised Service Centre will perform necessary service on the product without charge for parts or labour if, in the opinion of Panasonic, the product is found to be faulty within the warranty period.
2. This warranty only applies to Panasonic products purchased in Australia and sold by Panasonic Australia or its Authorised Distributors or Dealers and only where the products are used and serviced within Australia or its territories. Warranty cover only applies to service carried out by a Panasonic Authorised Service Centre and only if valid proof of purchase is presented when warranty service is requested.
3. This warranty only applies if the product has been installed and used in accordance with the manufacturer's recommendations (as noted in the operating instructions) under normal use and reasonable care (in the opinion of Panasonic). The warranty covers normal domestic use only and does not cover damage, malfunction or failure resulting from use of incorrect voltages, incorrect installation, accident, misuse, neglect, build-up of dirt or dust, abuse, maladjustment of customer controls, mains supply problems, thunderstorm activity, infestation by insects or vermin, tampering or repair by unauthorised persons (including unauthorised alterations), introduction of sand, humidity or liquids, commercial use such as hotel, office, restaurant, or other business or rental use of the product, exposure to abnormally corrosive conditions or any foreign object or matter having entered the product.
4. This warranty does not cover the following items unless the fault or defect existed at the time of purchase:
 - (a) Cabinet Part(s)
 - (b) Video or Audio Tapes
 - (c) SD cards or USB devices
 - (d) User replaceable Batteries
 - (e) DVD Video, Blu-ray, or Recordable Discs
 - (f) Video / Audio Heads from wear and tear in normal use
 - (g) Information stored on Hard Disk Drive, USB stick or SD card
 - (h) DTV reception issues caused by TV Aerial / Cabling / Wall socket(s) etc
5. Some products may be supplied with Ethernet connection hardware. The warranty is limited on such products and will not cover
 - (a) Internet and or DLNA connection / setup related problems
 - (b) Access fees and or charges incurred for internet connection
 - (c) The use of incompatible software or software not specifically stipulated in the product operations manual; and
 - (d) Any indirect or consequential costs associated with the incorrect use or misuse of the hardware, its connection to the internet or any other device.
6. If warranty service is required you should:
 - Telephone Panasonic's Customer Care Centre on 132600 or visit our website and use the Service Centre Locator for the name/address of the nearest Authorised Service Centre.
 - Send or bring the product to a Panasonic Authorised Service Centre together with your proof of purchase receipt as a proof of purchase date. Please note that freight and insurance to and / or from your nearest Authorised Service Centre must be arranged by you.
7. The warranties hereby conferred do not extend to, and exclude, any costs associated with the installation, de-installation or re-installation of a product, including costs related to the mounting, de-mounting or remounting of any screen, (and any other ancillary activities), delivery, handling, freighting, transportation or insurance of the product or any part thereof or replacement of and do not extend to, and exclude, any damage or loss occurring by reason of, during, associated with, or related to such installation, de-installation, re-installation or transit.

Panasonic Authorised Service Centres are located in major metropolitan areas and most regional centres of Australia, however, coverage will vary dependant on product. For advice on exact Authorised Service Centre locations for your product, please telephone our Customer Care Centre on 132600 or visit our website and use the Service Centre Locator.

Unless otherwise specified to the consumer the benefits conferred by this express warranty are additional to all other conditions, warranties, guarantees, rights and remedies expressed or implied by the Trade Practices Act 1974 and similar consumer protection provisions contained in legislation of the States and Territories and all other obligations and liabilities on the part of the manufacturer or supplier and nothing contained herein shall restrict or modify such rights, remedies, obligations or liabilities.

Feb 2010

**THIS WARRANTY CARD AND THE PURCHASE DOCKET (OR SIMILAR PROOF OF PURCHASE)
SHOULD BE RETAINED BY THE CUSTOMER AT ALL TIMES**

If you require assistance regarding warranty conditions or any other enquiries, please contact our Customer Care Centre via the Panasonic website www.panasonic.com.au or by phone on 132 600. If phoning in, please ensure you have your operating instructions available.

Panasonic Australia Pty. Limited

ACN 001 592 187 ABN 83 001 592 187
Locked Bag 505, Frenchs Forest, NSW 2086

PRO-031-F11 Issue: 2.0

18-02-2010

ENGLISH - 11

Warranty - New Zealand only

WARRANTY - New Zealand only

WE WARRANT that the Panasonic Product that you have purchased is free from defects in material and workmanship under normal home use and service. Accordingly, we undertake to repair, or at our option, replace without cost to the owner, either for material or labour, any part which within 12 months from the date of sale is found to be defective, provided that the appliance has been used for domestic purposes only and in accordance with the instructions given in the Instruction Book and not been subjected to misuse, neglect or faulty installation, dismantled, repaired or serviced by any other than an authorised Panasonic New Zealand Dealer or Panasonic New Zealand Authorised Service Centre.

NOTE

- Before reporting a fault, please ensure that you read the item "Troubleshooting" in the information section of your Panasonic Instruction Book.
- It is important to retain your proof of purchase as this will be required by the serviceman or retailer as proof of purchase date, should service be required.
- In the event of service being required, contact your Panasonic New Zealand retailer or Panasonic New Zealand Authorised Service Centre.

IMPORTANT

Any request for warranty service must be through an Authorised Panasonic New Zealand Service Centre who during the period of the warranty, undertakes to make any necessary adjustment and fit any replacement part supplied by the manufacturer, during normal working hours, or alternatively will arrange for such service to be provided by some other Panasonic New Zealand Authorised Service Centre.

NEW ZEALAND

Distributed in New Zealand by Panasonic New Zealand Limited

350 Te Irirangi Drive East Tamaki, Private Bag 14911, Panmure Auckland

Tel. 09 272 0100

Customer Care Center

Email: Customerservice@nz.panasonic.com

www.panasonic.co.nz

Information on Disposal for Users of Waste Electrical & Electronic Equipment (private households)



This symbol on the products and/or accompanying documents means that used electrical and electronic products should not be mixed with general household waste.

Please dispose of this item only in designated national waste electronic collection schemes, and not in the ordinary dust bin.

For business users in the European Union

If you wish to discard electrical and electronic equipment, please contact your dealer or supplier for further information.

Information on Disposal in other Countries outside the European Union

This symbol is only valid in the European Union.

If you wish to discard this product, please contact your local authorities or dealer and ask for the correct method of disposal.

Environment care information for users in China



This symbol is only valid in China.

Pursuant to the directive 2004/108/EC, article 9(2)

Panasonic Testing Centre

Panasonic Service Europe, a division of Panasonic Marketing Europe GmbH

Winsbergring 15, 22525 Hamburg, F.R. Germany

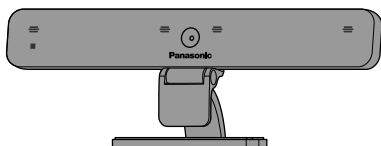
Panasonic Corporation

Web Site : <http://panasonic.net/>

© Panasonic Corporation 2010

Manual de instrucciones Cámara para comunicación

Nº de modelo **TY-CC10W**



Contenido

Precauciones de seguridad	2
Precauciones de manipulación	3
Instalación	4
Conexión	5
Uso de la cámara	6
Mantenimiento	6
Especificaciones	7

- Este producto permite realizar llamadas de vídeo y de voz desde Internet por medio de un televisor de alta definición Panasonic equipado con un puerto USB.
- El televisor debe estar conectado a una conexión de Internet de banda ancha.
- Para obtener información sobre los modelos de televisor compatibles con este producto, véase la página web de Panasonic.
<http://panasonic.net/>

Gracias por comprar un producto de Panasonic.

- Antes de utilizar este producto, lea cuidadosamente las instrucciones y guarde este manual para el futuro.
- Antes de usar este producto, asegúrese de haber leído las "Precauciones de seguridad" y "Precauciones de manipulación" (☞ páginas 2 - 3).

Precauciones de seguridad

Advertencia

Desmontaje

- **No desmonte ni modifique esta cámara.**
Si lo hace podría provocar un incendio o una descarga eléctrica.

Precaución

Prevención contra caídas

- **Asegúrese de que la cámara esté instalada firmemente.**
Si cae desde el lugar donde se encuentra instalada, la cámara podría lesionar a alguien.

No mojar

- **Mantenga la cámara siempre en un lugar fresco y seco.**
Si no lo hace podría provocar un incendio o una descarga eléctrica.

Precauciones de manipulación

- **No toque el objetivo de la cámara con las manos.**

Si lo hace el objetivo se podría ensuciar, dando lugar a imágenes borrosas.

- **No desconecte el cable USB cuando la cámara esté encendida.**

Si lo hace, la cámara o el televisor podrían dejar de funcionar correctamente.

En ese caso, desenchufe y vuelva a enchufar una vez a la toma de corriente el cable de alimentación de ca del televisor, conecte de nuevo el cable USB de la cámara y vuelva a encender el televisor.

- **No tire del cable USB con demasiada fuerza.**

Si lo hace podría provocar daños en la cámara.

- **No permita que la cámara caiga ni sufra golpes o sacudidas.**

Estas circunstancias podrían provocar daños en la cámara.

- **No guarde ni utilice esta cámara en lugares con altas temperaturas ni cerca de campos magnéticos fuertes.**

Si lo hace, la cámara podría resultar dañada, deformarse o dejar de funcionar correctamente.

- **No utilice la cámara en lugares con polvo, vapor o humo, ni en lugares donde se pueda mojar con agua u otros líquidos.**

Estas circunstancias podrían provocar daños en la cámara.

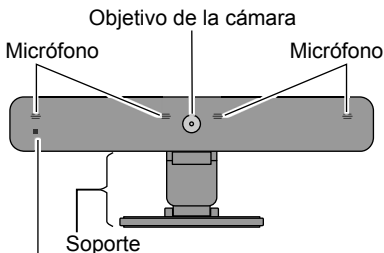
- **No doble la pieza de soporte.**

Si lo hace podría provocar daños en la cámara.

Instalación

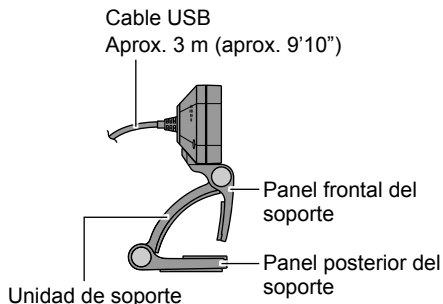
Nombre y función de los componentes

Vista frontal de la cámara



Lámpara de toma
Se ilumina en rojo durante la toma.

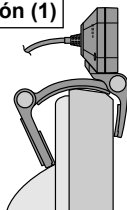
Vista lateral de la cámara



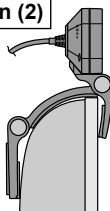
Instalación de la cámara encima del televisor

Enganche el soporte de la cámara a la parte superior de la pantalla del televisor y sujételo firmemente.

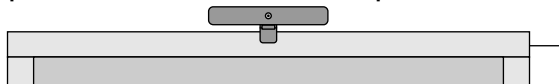
Ejemplo de instalación (1)



Ejemplo de instalación (2)



(Ejemplo de instalación en el centro de la pantalla del televisor)



Parte superior de la pantalla del televisor

Colocación de la cámara sobre una mesa, etc.

Coloque la cámara sobre una superficie plana situada delante del televisor, aproximadamente a la altura del rostro.

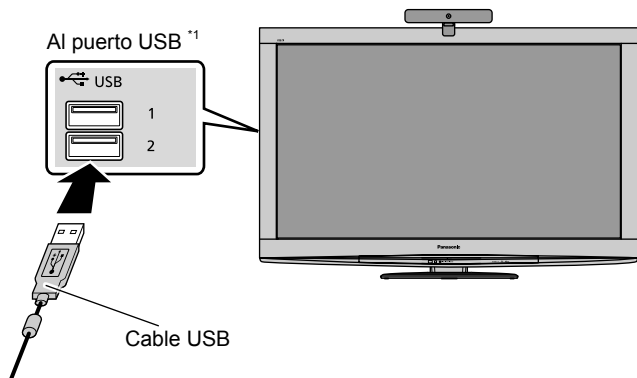
NOTA:

- Si la cámara se coloca cerca de los altavoces del televisor, el volumen del televisor podría provocar un ruido agudo que se conoce como "aullido". Si se produce aullido, baje el volumen de los altavoces del televisor.

Conexión

Conecte el cable USB de la cámara al puerto USB del televisor.

1. Pulse el botón de alimentación del televisor para apagarlo.
2. Introduzca el cable USB de la cámara en el puerto USB del televisor.



*1 Para obtener información sobre la ubicación y la orientación del puerto USB, consulte el manual de instrucciones del televisor.

Asegúrese de que el conector USB esté orientado en la misma dirección que el puerto USB.

3. Pulse el botón de alimentación del televisor para encenderlo.

NOTA:

- Encienda y apague el televisor siempre con el botón de alimentación que hay en el mismo.
- No utilice un concentrador USB para conectar la cámara al televisor. Conecte siempre el conector USB de la cámara directamente al televisor.
- Esta cámara no se puede utilizar con un ordenador ni con televisores de otra marca. Esta cámara debe conectarse siempre a un televisor Panasonic equipado con un puerto USB.

Uso de la cámara

- El televisor debe estar conectado a una conexión de Internet de banda ancha.
- Realice las siguientes operaciones con el mando a distancia del televisor. Para más información sobre las operaciones con el mando a distancia del televisor, véase el manual de instrucciones del televisor.

1. Abra "VIERA CAST" en la pantalla del televisor.
2. Seleccione el contenido que quiera utilizar con la cámara (p.ej. "Skype", etc.) y pulse "OK".
 - Para continuar, siga las instrucciones en pantalla para registrar una cuenta, realizar y recibir llamadas de vídeo y de audio, configurar la cámara, etc.



Prohibido realizar llamadas de emergencia.

Skype no reemplaza al servicio telefónico tradicional y no puede utilizarse para realizar llamadas de emergencia.

NOTA:

- Los contenidos, procedimientos y visualizaciones de la pantalla facilitados pueden sufrir cambios sin previo aviso.

Mantenimiento

■ **Limpie la cámara con un paño suave y seco.**

Si frota la cámara con un paño sucio podría rayarla.

Por este motivo, elimine siempre los restos de polvo, suciedad, etc. del paño antes de limpiar la cámara.

No utilice gasolina, disolventes, cera, etc. en la cámara, ya que podría desconcharse la pintura.

Especificaciones

Alimentación	5 V CC (alimentado por USB) 500 mA
Consumo eléctrico	Máx. 1,4 W
Dimensiones	Ancho 210 mm (8.27") Alto 76 mm (3") Fondo 43 mm (1.7")
Peso	Aprox. 200 g (aprox. 0,44 lbs.) (cable USB incluido)
Gama de temperaturas admisible	0° C - 40° C (32° F - 104° F)
Objetivo	Objetivo F/2.0 3P; FOV (D) 56,8° (en modo HD)
Micrófono	4 micrófonos unidireccionales
Sensor	Sensor CMOS de 1/4 pulgadas
Resolución	1280 × 720
Imagen de salida	Máx. 1280 × 720 (HD)
Formato de salida	H.264, YUV
Imágenes máx. por segundo	22 ips a HD, 30 ips a VGA
Conexión	USB 2.0

Información sobre la eliminación para los usuarios de equipos eléctricos y electrónicos usados (particulares)



La aparición de este símbolo en un producto y/o en la documentación adjunta indica que los productos eléctricos y electrónicos usados no deben mezclarse con la basura doméstica general.

Rogamos deposite este producto en los puntos de recogida de los sistemas de gestión de residuos que existen al efecto, y no en los contenedores habituales de basura.

Para empresas de la Unión Europea

Si desea desechar equipos eléctricos y electrónicos, póngase en contacto con su distribuidor o proveedor para que le informe detalladamente.

Información sobre la eliminación en otros países no pertenecientes a la Unión Europea

Este símbolo sólo es válido en la Unión Europea.

Si desea desechar este producto, póngase en contacto con las autoridades locales o con su distribuidor para que le informen sobre el método correcto de eliminación.

Información de protección de medio ambiente para usuarios de China



Este símbolo sólo es válido en China.

De conformidad con la directiva 2004/108/EC, artículo 9(2)

Panasonic Testing Centre

Panasonic Service Europe, una división de Panasonic Marketing Europe GmbH
Winsbergring 15, 22525 Hamburg, Alemania

Panasonic Corporation

Web Site : <http://panasonic.net/>

© Panasonic Corporation 2010